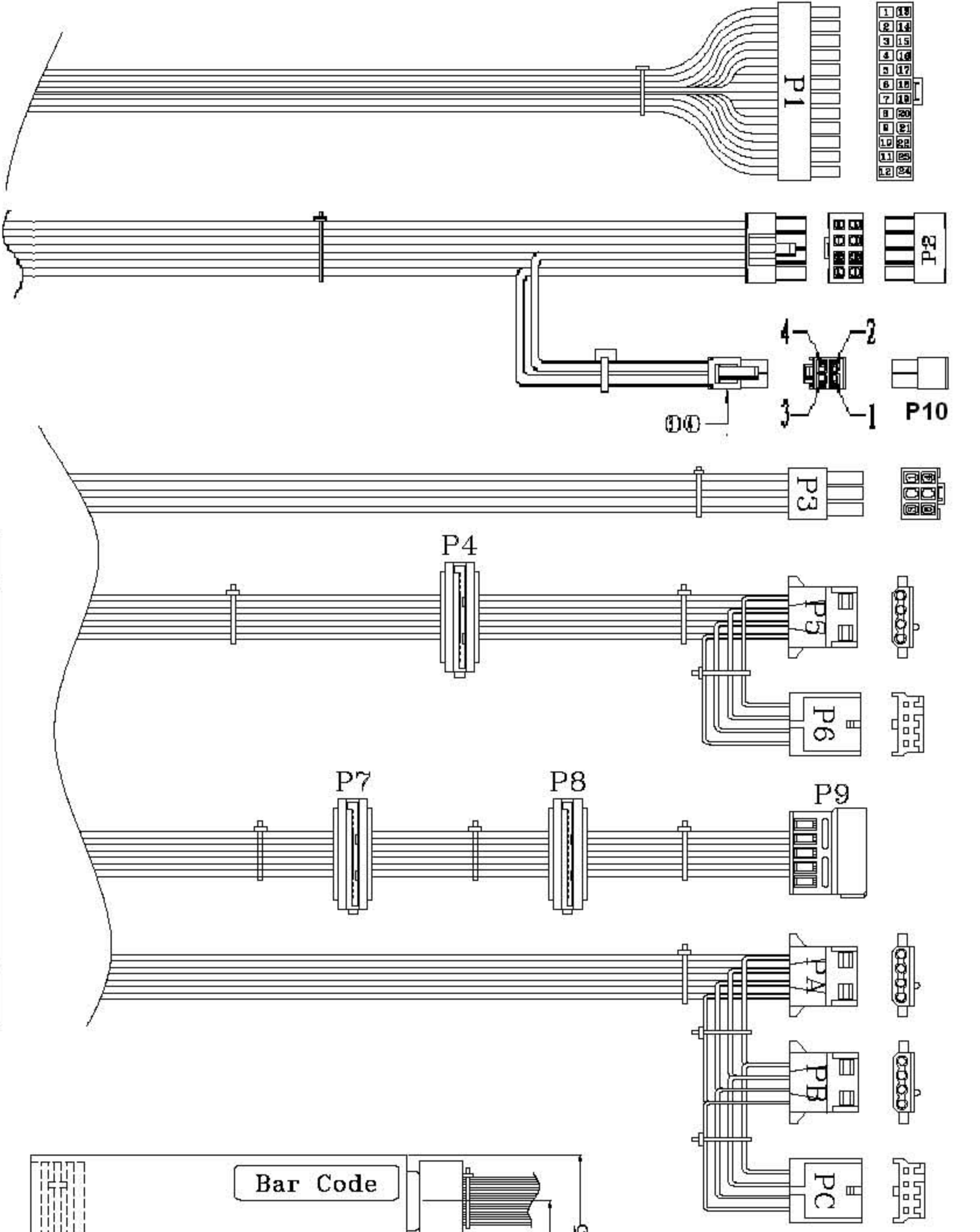
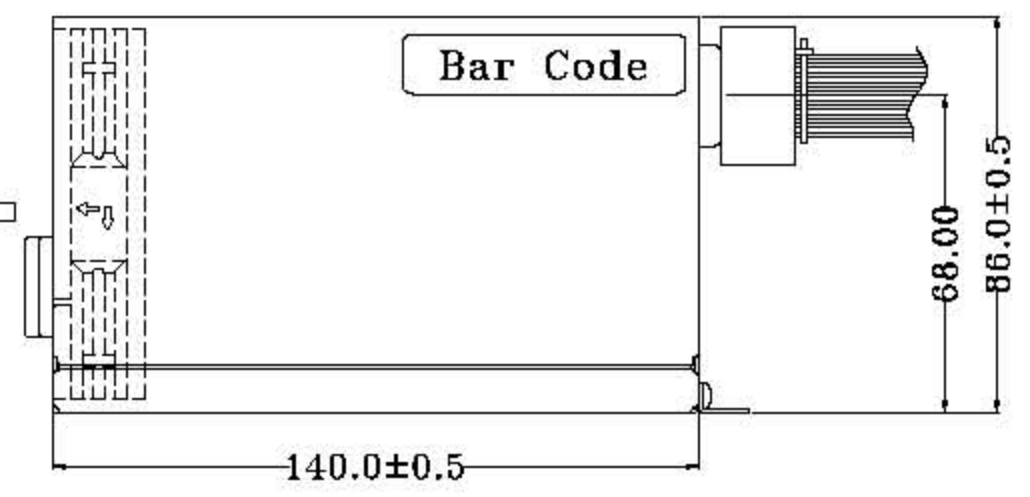
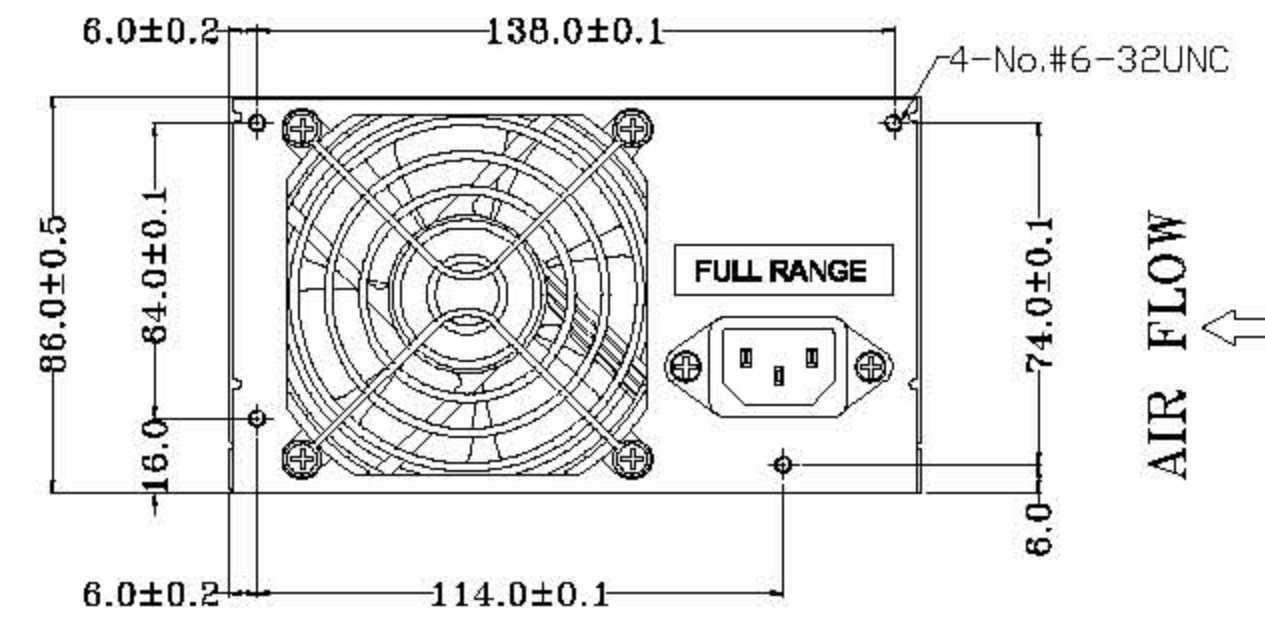
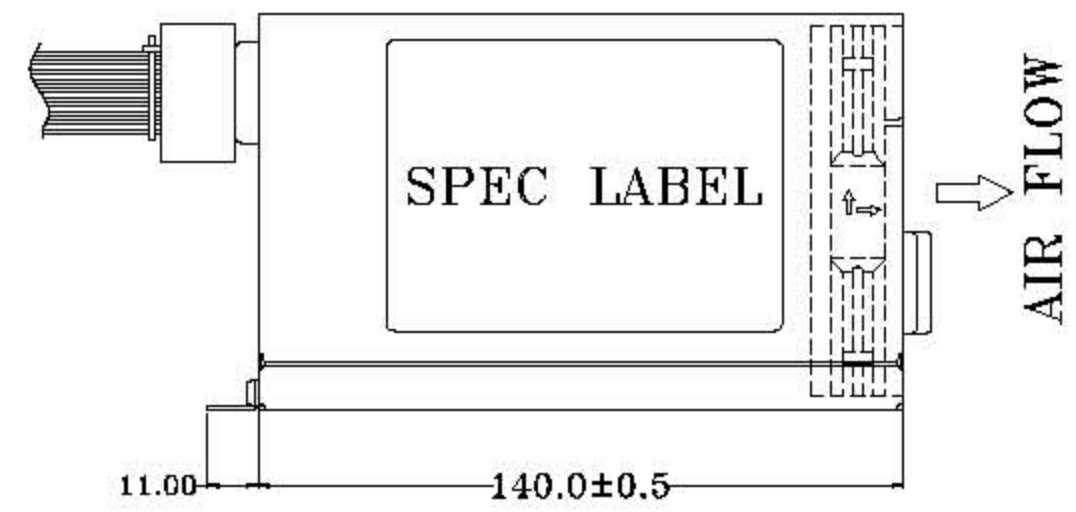
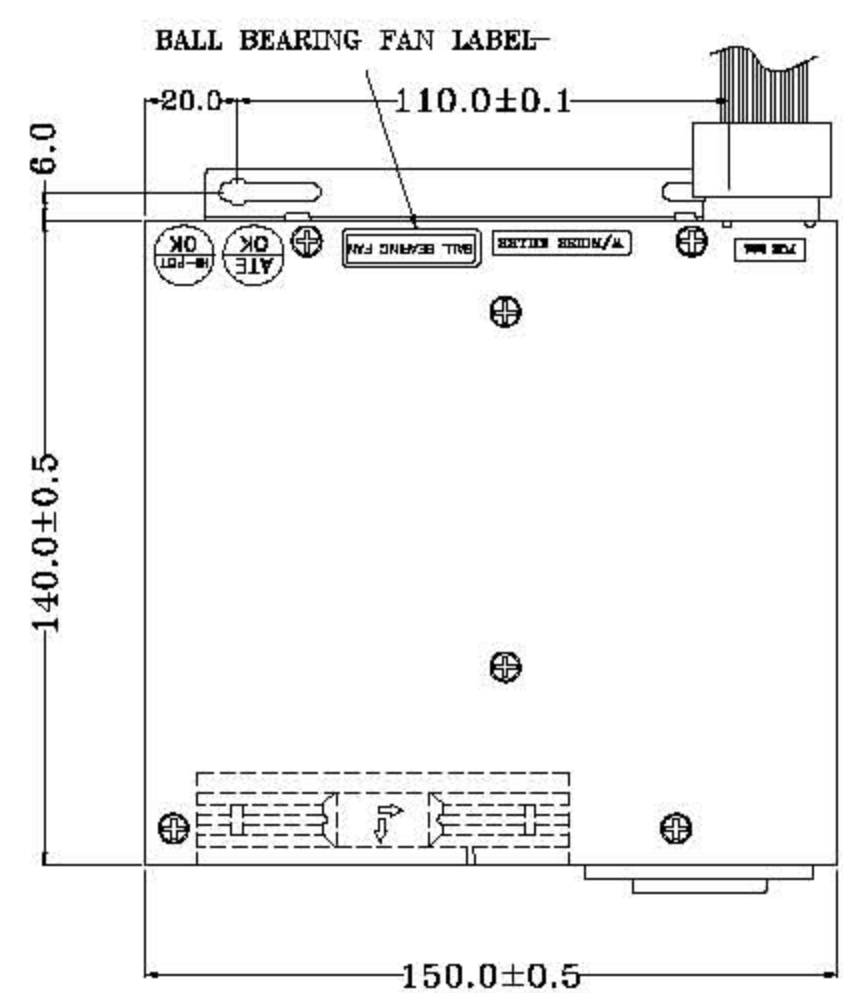
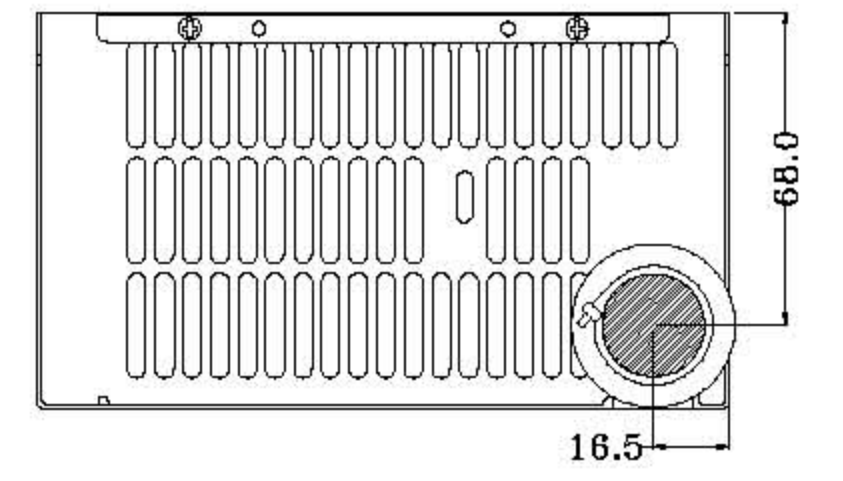


REF. ID.	PIN NO.	SIGNAL	WIRE COLOR	GAUGE	CONNECTOR TYPE	CABLE LENGTH	
P1	1	+3.3VDC	ORANGE	18	MOLEX 39-01- 2240 or EQUIV.	350±15mm	
	2	+3.3VDC	ORANGE	18			
	3	COM	BLACK	18			
	4	+6VDC	RED	18			
	5	COM	BLACK	18			
	6	+5VDC	RED	18			
	7	COM	BLACK	18			
	8	PW-ON	GRAY	18			
	9	+5Vsb	PURPLE	18			
	10	+12V2	YELLOW	18			
	11	+12V2	YELLOW	18			
	12	+3.3VDC	ORANGE	18			
	13	+3.3VDC	ORANGE	18			
	14	+3.3VDC	BROWN	22			
	15	-12VDC	BLUE	18			
	16	COM	BLACK	18			
	17	PS-ON	GREEN	18			
	18	COM	BLACK	18			
	19	COM	BLACK	18			
	20						
	21	+5VDC	RED	18			
	22	+5VDC	RED	18			
	23	+6VDC	RED	18			
	24	COM	BLACK	18			
P3	1	+12V2	YELLOW	18	C4202H00- 2*3PA-RP or EQUIV	500±15mm	
	2	+12V2	YELLOW	18			
	3	+12V2	YELLOW	18			
	4	COM	BLACK	18			
PA	1	+12V2	YELLOW	18	AMP 1-480424-0 or EQUIV.	350±15mm	
	2	COM	BLACK	18			
	3	COM	BLACK	18			
	4	+6V	RED	18			
P5	1	+12V2	YELLOW	18	AMP 1-480424-0 or EQUIV.	155±10mm	
	2	COM	BLACK	18			
	3	COM	BLACK	18			
	4	+6V	RED	18			
PB	1	+12V2	YELLOW	22	AMP 171822-4 or EQUIV.	155±10mm	
	2	COM	BLACK	22			
	3	COM	BLACK	22			
	4	+6V	RED	22			
PC	1	+12V2	YELLOW	18	AMP 171822-4 or EQUIV.	155±10mm	
	2	COM	BLACK	18			
	3	COM	BLACK	18			
	4	+6V	RED	18			
P4	1	+12V2	YELLOW	18	CI1271HS0 -15P	350±16mm	
	2	COM	BLACK	18			
	3	+6V	RED	18			
	4	COM	BLACK	18			
P7	1	+12V2	YELLOW	18	CI1271HS0 -15P	155±10mm	
	2	COM	BLACK	18			
	3	+6V	RED	18			
	4	COM	BLACK	18			
P8	1	+12V2	YELLOW	18	CI1271HS0 -15P	155±10mm	
	2	COM	BLACK	18			
	3	+6V	RED	18			
	4	COM	BLACK	18			
P9	1	+12V2	YELLOW	18	CI1270H00 -16P	155±10mm	
	2	COM	BLACK	18			
	3	+6V	RED	18			
	4	COM	BLACK	18			
P10	1	+12V2	YELLOW	18	AMP 171822-4 or EQUIV.	155±10mm	
	2	COM	BLACK	18			
	3	COM	BLACK	18			
	4	+6V	RED	18			
P11	1	+12V2	YELLOW	18	AMP 171822-4 or EQUIV.	155±10mm	
	2	COM	BLACK	18			
	3	COM	BLACK	18			
	4	+6V	RED	18			
P12	1	+12V2	YELLOW	18	AMP 171822-4 or EQUIV.	155±10mm	
	2	COM	BLACK	18			
	3	COM	BLACK	18			
	4	+6V	RED	18			

REF. ID.	PIN NO.	SIGNAL	WIRE COLOR	GAUGE	CONNECTOR TYPE	CABLE LENGTH
P2	1	COM	BLACK	18	MOLEX 39-01- 2080 or EQUIV.	350 ± <sup>20</sup> <sub>10</sub> mm
	2	COM	BLACK	18		
	3	COM	BLACK	18		
	4	COM	BLACK	18		
	5	+12V2	YEL/BLK	18		
	6	+12V2	YEL/BLK	18		
	7	+12V2	YEL/BLK	18		
	8	+12V2	YEL/BLK	18		
P10	1	COM	BLACK	18	MOLEX 39-01- 2040 or EQUIV.	100±10 mm
	2	COM	BLACK	18		
	3	+12V2	YEL/BLK	18		
	4	+12V2	YEL/BLK	18		



- NOTE:**
1. ALL THE LENGTH OF OUTPUT WIRES EXCLUDE HOUSING.
  2. 產地標籤依業務指示加貼.

UNIT:mm

**SPI P/N.:FSP550PLN-MPC-1**

MODEL NO. : FSP550-60PLN(S032)		TITLE: ASSY		SHEET: 1 OF 1 REV:01	
R&D	PE	DRAWN	DATE		
			April.16.2009		
INTERIOR COUNTERSIGN:			William		